

Voltage control

→ Voltage control relay - 17.5 mm

- Control relays monitoring their own power supply
 - MUS: Over/undervoltage control Selectable latching (memory) function
 - MUSF: Over/undervoltage control
- Adjustable time delays
- Control in 50 Hz, 60 Hz or ---
- True RMS measurement
- LED status indication



MUS



MUSF

Part numbers

	MUS 12 ---	MUS/MUSF 80 \sim	MUS/MUSF 260 \sim
Controlled ranges	9 → 15 V ---	20 → 80 V \sim	65 → 260 V \sim
Functions			
Under/Overvoltage control	84872140	84872141	84872142
Under/Overvoltage control in window mode	-	84872151	84872152

Product adaptations



- Customisable colours and labels
 - Fixed threshold in the generic measurement range
 - Fixed or adjustable time delay
 - Adjustable hysteresis
- Adaptations dedicated to MUS 12 --- , MUS 80 \sim , MUS 260 \sim :**
- Possible to delete settings
 - Adjustable fixed hysteresis

Accessories

Description	Code
Removable sealable cover for 17.5 mm casing	84800000

General characteristics

	MUS 12 ---	MUS/MUSF 80 \sim	MUS/MUSF 260 \sim
Supply			
Nominal voltage (V)	12 V ---	24 → 48 V \sim	110 → 240 V \sim
Power consumption at U_n	1 W in ---	3.9 VA in \sim / 1.6 W in ---	3 VA in \sim / 1 W in ---
Operating range	7 → 20 V ---	15 → 100 V \sim	50 → 270 V \sim
Range of adjustment	9 → 15 V ---	20 → 80 V \sim	65 → 260 V \sim
Inputs and measuring circuit			
Hysteresis	5 → 20% of threshold	5 → 20% of threshold (MUS) 3% (fixed) of threshold (MUSF)	5 → 20% of threshold (MUS) 3% (fixed) of threshold (MUSF)
General characteristics			
Weight	75 g	80 g	80 g

General characteristics

MUS 12 --- / MUS/MUSF 80 ~ / MUS/MUSF 260 ~

Supply

Polarity with DC voltage	✓
~ supply voltage frequency	50 / 60 Hz \pm 10%
Galvanic isolation of power supply/measurement	No
Immunity from micro power cuts	10 ms

Inputs and measuring circuit

Max. measuring cycle time	250 ms/True RMS measurement
Display precision	\pm 10% of full scale
Repetition accuracy with constant parameters	\pm 0.5%
Measuring error with voltage drift	< 1% across the whole range
Measuring error with temperature drift	\pm 0.05% / °C

Timing

Delay on threshold crossing	0.1 \rightarrow 10 sec (0, +10%)
Repetition accuracy with constant parameters	\pm 0.5%
Reset time	1.5 s
Delay on pick-up	500 ms en ~ / 1 s in ---

Output

Type of output	1 single pole changeover relay
Type of contacts	No cadmium
Maximum breaking voltage	250 V ~
Max. breaking current	5 A ~
Min. breaking current	10 mA / 5 V ---
Electrical life (number of operations)	1 x 10 ⁵
Breaking capacity (resistive)	1250 VA ~
Maximum rate	360 operations/hour at full load
Operating categories acc. to IEC 60947-5-1	AC 12, AC 13, AC 14, AC 15, DC 12, DC 13, DC 14
Mechanical life (operations)	30 x 10 ⁶

Insulation

Nominal insulation voltage IEC 60664-1	250 V
Insulation coordination (IEC 60664-1 / 60255-5)	Overvoltage category III: degree of pollution 3
Rated impulse withstand voltage IEC 60664-1/60255-5	4 kV (1.2 / 50 μ s)
Dielectric strength IEC 60664-1/60255-5	2 kV ~ 50 Hz 1 min
Insulation resistance IEC 60664-1 / 60255-5	> 500 M Ω / 500 V ---

General characteristics

Display power supply	Green LED
Display relay	Yellow LED
Casing	17.5 mm
Mounting	On 35 mm symmetrical DIN rail, IEC/EN 60715
Mounting position	All positions
Material: enclosure plastic type VO to UL94 standard	Incandescent wire test according to IEC 60695-2-11 & NF EN 60695-2-11
Protection (IEC 60529)	Terminal block: IP 20 Casing: IP 30
Connecting capacity IEC 60947-1	Rigid: 1 x 4 ² - 2 x 2.5 ² mm ² 1 x 11 AWG - 2 x 14 AWG Flexible with ferrules: 1 x 2.5 ² - 2 x 1.5 ² mm ² 1 x 14 AWG - 2 x 16 AWG
Max. tightening torques IEC 60947-1	0.6 \rightarrow 1 Nm / 5.3 \rightarrow 8.8 Lbf.In
Operating temperature IEC 60068-2	-20 \rightarrow +50°C
Storage temperature IEC 60068-2	-40 \rightarrow 70°C
Humidity IEC 60068-2-30	2 x 24 hr cycle 95% RH max. without condensation 55°C
Vibrations according to IEC/EN60068-2-6	10 \rightarrow 150 Hz, A = 0.035 mm
Shocks IEC 60068-2-6	5 g

Standards

Marking	CE (LVD) 73/23/EEC - EMC 89/336/EEC
Product standard	NF EN 60255-6 / IEC 60255-6 / UL 508 / CSA C22.2 N°14
Electromagnetic compatibility	Immunity EN 61000-6-2/IEC 61000-6-2 Emission EN 61000-6-4/EN 61000-6-3 IEC 61000-6-4/IEC 61000-6-3 Emission EN 55022 class B
Certifications	UL, CSA, GL pending
Conformity with environmental directives	RoHS, WEEE

Voltage control

Principles

Overview

MUS and MUSF voltage control relays monitor single-phase DC network voltages.

These products monitor their own supply voltage.

MUS relays allow the user to choose between two operating modes:

- Under/overvoltage
- With or without fault latching

An adjustable time delay, on threshold crossing, provides immunity from transient phenomena, thus preventing spurious triggering of the output relay.

Operating principle

MUS - Under/Overvoltage controller

The operating mode is set by the user.

A switch is used to select under or overvoltage modes, with or without latching.

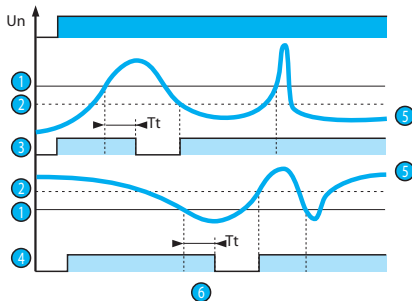
The switch position, and hence the operating mode, is read by the product on energisation.

If the switch is set to a non-conforming position, the product goes into fault mode, the output relay stays open, and the LEDs flash to signal the position error.

If the switch position changes while the unit is operating, all the LEDs flash but the product continues to work normally with the voltage selected on energisation prior to the change of position.

The LEDs return to their normal state if the switch is reset to its initial position defined before the last energisation.

MUS - Under/overvoltage - without latching



- ① Threshold
- ② Hysteresis
- ③ Overvoltage function relay
- ④ Undervoltage function relay
- ⑤ Controlled signal
- ⑥ Delay on threshold crossing (T_t)

The under or overvoltage threshold value is set by a graduated potentiometer by reading the U_n scale to be monitored directly.

The hysteresis is set by a graduated potentiometer from 5 to 20% of the preset threshold. The hysteresis value cannot be higher than the extremes of the measurement range.

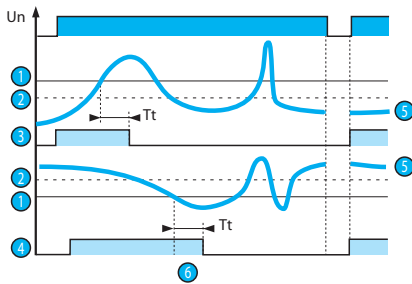
In overvoltage mode, if the controlled voltage exceeds the preset threshold for longer than the time set on the front face (0.1 to 10 s), the output relay opens and LED R is extinguished. During the time delay, this LED flashes.

Once the voltage falls below the threshold value minus the hysteresis, the relay closes instantaneously.

In undervoltage mode, if the controlled voltage falls below the preset threshold for longer than the time set on the front face (0.1 to 10 s), the output relay opens and LED R is extinguished. During the time delay, this LED flashes.

Once the voltage rises above the threshold value plus the hysteresis, the relay closes instantaneously.

MUS - Under/overvoltage - with latching

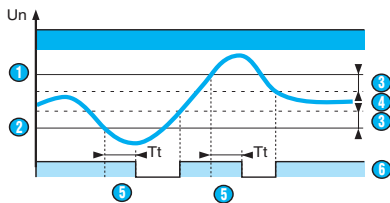


- ① Threshold
- ② Hysteresis
- ③ Overvoltage function relay
- ④ Undervoltage function relay
- ⑤ Controlled signal
- ⑥ Delay on threshold crossing (T_t)

If "with memory" mode has been selected, the relay opens and stays in this position when threshold crossing is detected. The power supply must be disconnected to reset the product.

Principles

MUSF - Under and overvoltage controller in window mode

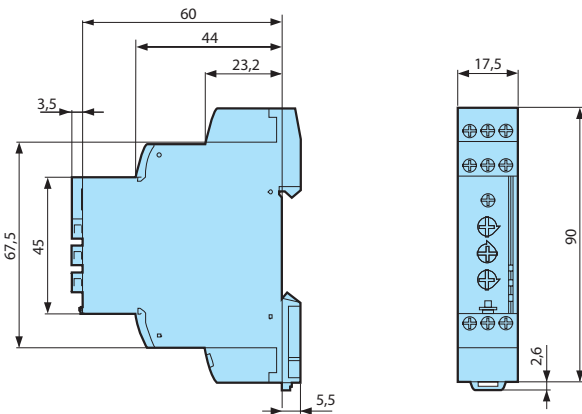


- ① High threshold
- ② Low threshold
- ③ Hysteresis
- ④ Controlled signal
- ⑤ Delay on threshold crossing (Tt)
- ⑥ Relais

MUSF relays operate in window mode: they check that the controlled voltage stays between a minimum and maximum threshold.
 The under and overvoltage threshold values are set by two graduated potentiometers by reading the Un scale to be monitored directly.
 The hysteresis is fixed, value: 3 % of the preset thresholds.
 If the controlled voltage exceeds the preset upper threshold, or falls below the preset lower threshold for longer than the time set on the front face (0.1 to 10 s), the output relay opens and LED R is extinguished. During the time delay, this LED flashes.
 Once the voltage returns to below the upper threshold value minus the hysteresis, or above the lower threshold value plus the hysteresis, the relay closes instantaneously.
 When the unit is powered up with a measured fault, the relay stays open.

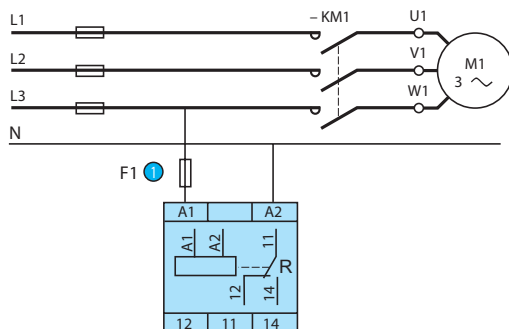
Dimensions (mm)

MUS - MUSF



Connections

MUS - MUSF



- ① 1 A fast-blow fuse or cut-out